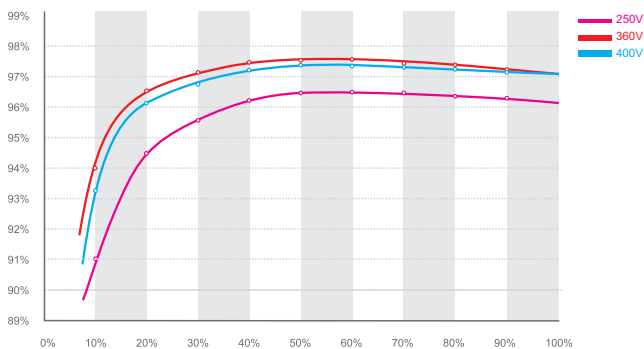


## Leading - edge Technology

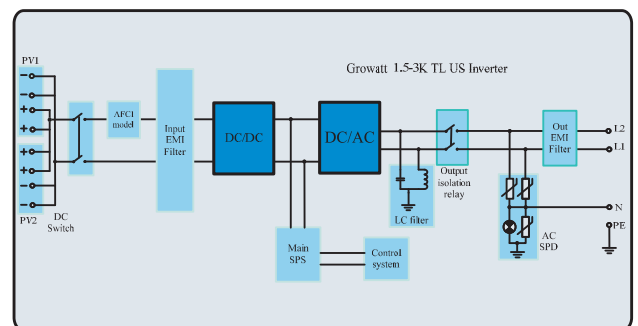
- ▶ Maximum efficiency of 97.5% and wide input voltage range
- ▶ Internal DC switch
- ▶ Transformerless GT topology
- ▶ Compact design
- ▶ MTL - String
- ▶ Ethernet / RF technology / WiFi
- ▶ Sound control
- ▶ Easy installation



Growatt 3000-US efficiency



Growatt 1.5-3K US topology



Datasheet	Growatt 1500-US	Growatt 2000-US	Growatt 3000-US
<b>Input Data</b>			
Max. DC power	1800W	2300W	3200W
Max. DC voltage	450V	500V	500V
Start voltage	150V	150V	150V
DC nominal voltage	360V	360V	360V
PV voltage range	100V - 450V	100V - 500V	100V - 500V
MPP voltage range	120V - 400V	120V - 450V	120V - 450V
Number of independent MPP trackers/strings per MPP tracker	1 / 1	1 / 2	1 / 2
Max. input current of the MPP tracker	12A	14A	17A
<b>Output (AC)</b>			
Rated AC output power	1500W@208Vac 1650W@240Vac	1800W@208Vac 2000W@240Vac	2500W@208Vac 2800W@240Vac
AC nominal voltage; range	Default:240V single phase, optional:208 single phase; 183-228@208V, 211-264V@240V		
AC grid frequency; range	60Hz; 59.3-60.5Hz	60Hz; 59.3-60.5Hz	60Hz; 59.3-60.5Hz
Max. output current	8A / 7.8A	9.7A / 9.4A	15A / 14.2A
Phase shift (cosφ)	1	1	1
THDI	<3%	<3%	<3%
AC connection	Single phase	Single phase	Single phase
<b>Efficiency</b>			
Max. efficiency	97%	97%	97%
CEC efficiency	96%	96.5%	96.5%
MPPT efficiency	99.5%	99.5%	99.5%
<b>Protection Devices</b>			
DC reverse polarity protection	yes	yes	yes
DC switch for each MPPT	yes	yes	yes
Output over current protection	yes	yes	yes
Output overvoltage protection-varistor	yes	yes	yes
Ground fault monitoring	yes	yes	yes
AFCI compliant to UL 1699B	yes	yes	yes
<b>General Data</b>			
Dimensions (W / H / D) in inch	14.1/18.3/6.5	14.1/18.3/6.5	14.1/18.3/6.5
Weight	14.6kg/32.2lb	15.1kg/33.3lb	15.9kg/35.0lb
Operating temperature range	-25..+60°C / (-13...+ 140°F)	-25..+60°C / (-13...+ 140°F)	-25..+60°C / (-13...+ 140°F)
Noise emission (typical)	≤25 dB(A)	≤25 dB(A)	≤25 dB(A)
Self-Consumption (night)	< 0.5 W	< 0.5 W	< 0.5 W
Topology	Transformerless	Transformerless	Transformerless
Cooling concept	Natural	Natural	Natural
Enclosure	Type 3R	Type 3R	Type 3R
Altitude	2000m without derating	2000m without derating	2000m without derating
Humidity	100%	100%	100%
<b>Features</b>			
DC connection	Screw terminal	Screw terminal	Screw terminal
AC connection	Screw terminal	Screw terminal	Screw terminal
Display	LCD	LCD	LCD
Interfaces: RS232/RS485/RF/Ethernet/WiFi/Zigbee/Cellular	yes/yes/opt/opt/opt/opt/opt	yes/yes/opt/opt/opt/opt/opt	yes/yes/opt/opt/opt/opt/opt
Revenue grade data,ANSI C12.1	opt	opt	opt
Warranty: 5 years / 10 years	yes / opt	yes / opt	yes / opt

#### Certificates and Approvals

UL1741,UL1998 ,IEEE 1547, CSA C22.2 No.107.1-1,FCC Part15(Class A&B),UL1699B